

# Pivot Display Drawer

1U Center Axis Pivoting Monitor

1U Flexible / Pivot Monitor Drawer

Model: DRP119S



The DRP Series is an high performance 1U LCD display drawer sporting 17", 17" Wide and 19" LCD Monitors. These monitors have high contrast ratios and wide viewing angles, with resolution at SXGA (1280X1024) for the 17" & 19" and WXGA (1440x900) for the 17" Wide.

The unique design of the DRP (Pivot Display Drawer) is just that, It pivots. The drawer starts out laying flat and put away in its 1U drawer. When needed the monitor slides out and the display portion of the monitor rotates up. You can adjust the monitor in almost any position from 0 to 119 Degrees. The Heavy-Duty Torque hinge holds it in place. The display Pivots up to 60 Degs along the monitors center axis. This gives the user 3 degrees of freedom.

Integrated slides along with adjustable mounting brackets allow installation in any standard 19" Rack enclosure. The drawer is held closed with a keyed cam lock.

The Standard Finish is Black Powder Coated Lite Texture, but it can be customized to any color or logo.

## Enclosure

- Mounts in standard 19-inch rack cabinets 20" depths
- Utilizes only 1RU (1.75")
- RSI Design (Rapid Start Installation). Installation takes Less than 5 minutes!
- Rugged all metal construction designed to satisfy Industrial, Commercial and Military requirements
- Compact enclosure for rackmount applications

## Display:

- 17, 17" Wide and 19" Diagonal Active Matrix TFT LCD Displays
- Featuring Samsung & LG Technologies
- Large Viewing Area

## Video Controller:

- Standard Analog RGB, DVI-D, S-Video, and CVS inputs)
- OSD (On Screen Display) Monitor Controls

## Power:

- +12 VDC Operation
- Low Power Consumption

## Other Features / Options:

- Abrasion Resistant Lens Cover.

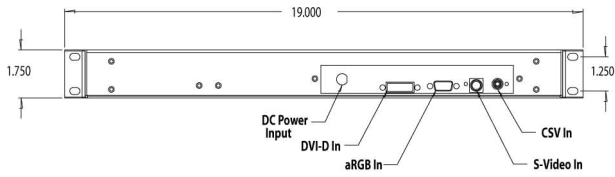


## Technical Specifications:

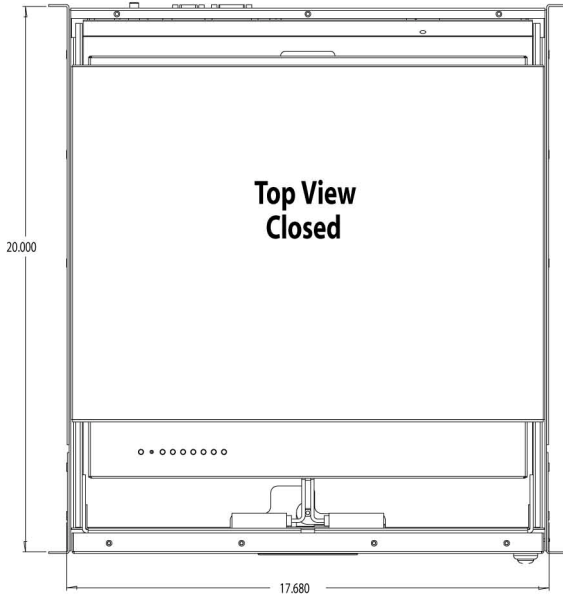
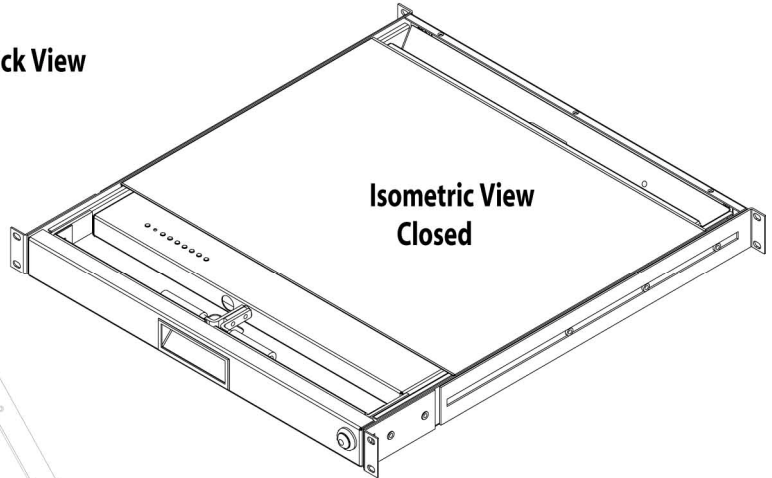
Technical Specifications					
Monitor Name:	17" Production	17" Ultra Thin (17SUT)	17.1" Wide	19" Production	19" Extended Road Map
Monitor Size	17"	17"	17.1"	19"	19"
Display Type	SXGA, Color, TFT-LCD, TN, 4 CCFL Backlight	SXGA, Color, TFT-LCD, PVA, 4 CCFL Backlight, Ultra Thin for Touch	VXGA+, Color TFT-LCD, 2 CCFL Backlights	SXGA, Color, TFT-LCD, 4 CCFL BackLight	SXGA, Color TFT, 6 CCFL Backlight, Extended Road Map
Max Resolution/Refresh	1280x1024	1280x1024	1440x900	1280x1024	1280x1024
Aspect Ratio	4:3	4:3	16:10	4:3	4:3
Display Colors	16.78M				
Brightness (Nits cd/m2)	300	250	250	300	300
Contrast Ratio	1000:1	600:1	800:1	1000:1	800:1
Response Time (Tr/Tf)(ms)	1.3	10	2R, 6D	8ms GTG (Avg. Typ)	10 ms GTG (Avg. Typ)
Pixel Pitch (HxW)(mm)	0.264 x 0.264	0.264 x 0.264	0.255 x 0.255	0.294 x 0.294	0.294 x 0.294
Power Management	EPA energy star, VESA compliance				
Viewing Angle (Deg)	80/80/80/80	89/89/89/89	80L/80R/80U/80D	89/89/89/89 Typ.	88/88/88/88
MTBF (Hours)	30,000-50,000				
Surface Treatment	Haze 25%, Hard Coat (3H)	Haze 44%, Hard Coat (3H)	Hard-coating (3H), Non-Glare	Hard-coating (3H), Non-Glare treatment,	Antiglare Hard Coat
Temperature Operating (C)	0 to +50	0 to +50	0 to +50	0 to +50	0 to +55
Temperature Storage (C)	-25 to +60	-25 to +60	-25 to +60	-20 to +60	-20 to +60
Altitude Operating (Ft)	TBD	0 - 10,000	0 - 10,000	10,000	16,005
Altitude Storage (Ft)	TBD	0 - 40,000	0 - 40,000	30,000	44,880
Humidity Operating (%RH)	5 to 90	20 to 90	10 to 90	5 to 90	= < 95
Humidity Storage (%RH)	5 to 90	5 to 90	10 to 90	5 to 90	= < 95
Applicable iTech Controllers:	VO51, VO52, VO53				
Video Connections:	aRGB(VGA), DVI, S-Video, CVS				
Chassis/ Drawer:					
Mounting	Standard 19-inch rack				
Slide Rails	Pre-integrated ball-bearing Slides with cable management guides.				
Dimensions (WxHxD)	19 x 1.75 x 20-inch min. Can be installed in 20" - 36" Racks				
Monitor Hinge	Heavy-duty Torque hinges to 60 lbs				
Color	Black Powder coated with light texture (Custom colors available)				
Weight (lbs)	32				
Shipping Box (DWD / DWM)	DWD 23				



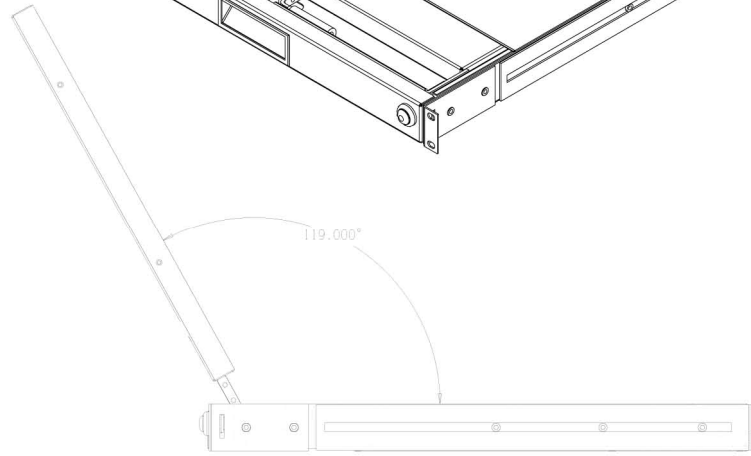
# Dimensional Drawings



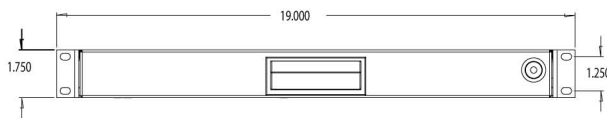
Back View



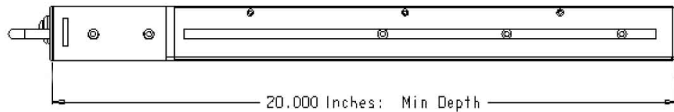
Top View Closed



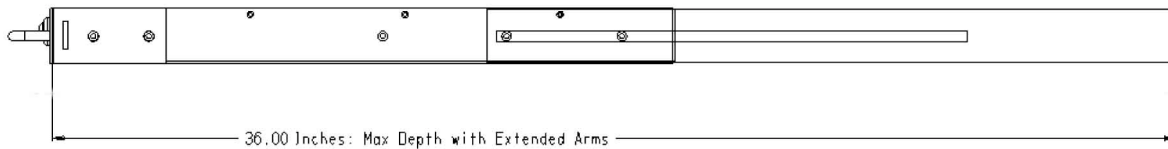
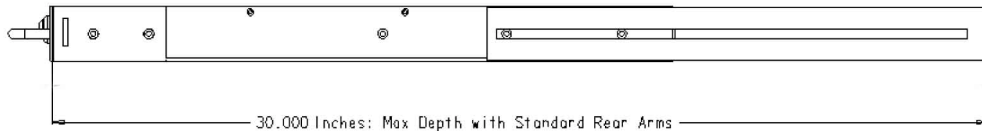
Max Angular Opening 119 Deg From Flat (X to Y)  
 Max Center Pivot around Center Axis (Z Axis) 60 Deg



Front View



Side View With Standard Rear Arms  
 and Optional Extended Arms  
 Showing Minimum and Maximum Depth



All dimensions are in inches.