

USER MANUAL

Sun Readable Solution 15", 17", 19", 22" Screen Size



SunReadable LCD Display

Models

HNP717 / 819

SunReadable Widescreen LCD Display

Models

HNPW719 /HNPW822



SunReadable LCD Display

Models

HNP117 / 119



SunReadable LCD Display

Models

HNVP117 / 119

- With KVM Options

Options: -BNC + S-Video
-Audio

- DVI
- Quad Display

- Touchscreen
- DC Power

Contents

Chapter 1	Getting Started		
	1.1	Important Safeguards.....	1
	1.2	Regulatory Notice.....	2
	1.3	Before Installation.....	3
	1.4	Unpacking.....	3
	1.5	Optional Accessories.....	3
	1.6	Peripheral Products.....	4
Part 1	HNP717 & HNP819		
Chapter 2	Installation		
	2.1	Package Contents.....	5
	2.2	Structure Diagram.....	6
	2.3	Installation.....	7
	2.4	Connection.....	7
Part 2	HNPW719 & HNPW822		
Chapter 3	Installation		
	3.1	Package Contents.....	8
	3.2	Structure Diagram.....	9
	3.3	Installation.....	9
	3.4	Connection.....	10-11
Part 3	HNP117 & HNP119		
Chapter 4	Installation		
	4.1	Package Contents.....	5
	4.2	Structure Diagram.....	5
	4.3	Connection.....	9
	4.4	How to Install "One Man" Installation Slides.....	14-15
	4.5	How to Use the Slides.....	16

Contents

Part 4	HNVP117 & HNVP119	
Chapter 5	Installation	
	5.1	Package Contents.....17
	5.2	Optional Accessories.....18
	5.3	Structure Diagram.....19
	5.4	How to Install "One Man" Installation Slides.....19-20
	5.5	How to Use the Slides.....21
	5.6	NVP117 / 119 Series (Single console) - Use NE-6 to connect to server via PS/2 interface.....22
	5.7	NVP117 / 119 Series (Single console) - Use NE-6 to connect to KVM via PS/2 interface.....22
	5.8	NVP117 / 119 Series (Single console) - Use NE-6 to connect to server via USB interface.....23
	5.9	NVP117 / 119 Series (Single console) - Use NE-6 to connect to KVM via USB interface.....23
	5.10	Keyboard & Mouse.....24
Chapter 6	Operation	
	5.1	On-screen Display Operation.....25
	5.2	On-screen Menu.....26
Chapter 7	LCD Specification27-28	
	8.1	DVI-D Option.....29
	8.2	BNC + S-Video Option.....30
	8.3	Audio Option.....31-33
Chapter 9	Touchscreen Options34-35	
Chapter 10	Front NEMA 4 / IP65 Options36	
Chapter 11	Quad Display Option37	
Chapter 12	DC Power Options38	
Chapter 13	Dimensions39	
Chapter 14	Troubleshooting40	

1.1 Important Safeguards

Chapter 1

Please read all of these instructions carefully before you use the device. Save this manual for future reference.

What the warranty does not cover

- Any product, on which the serial number has been defaced, modified or removed.
- Damage, deterioration or malfunction resulting from:
 - Accident, misuse, neglect, fire, water, lightning, or other acts of nature, unauthorized product modification, or failure to follow instructions supplied with the product.
 - Repair or attempted repair by anyone not authorized by us.
 - Any damage of the product due to shipment.
 - Removal or installation of the product.
 - Causes external to the product, such as electric power fluctuation or failure.
 - Use of supplies or parts not meeting our specifications.
 - Normal wear and tear.
 - Any other causes which does not relate to a product defect.
- Removal, installation, and set-up service charges.



1.2 Regulatory Notice

Chapter 1

Legal Information

First English printing, October 2002

Information in this document has been carefully checked for accuracy; however, no guarantee is given to the correctness of the contents. The information in this document is subject to change without notice. We are not liable for any injury or loss that results from the use of this equipment.

Safety Instructions

- Unplug equipment before cleaning. Don't use liquid or spray detergent; use a moist cloth.
- Keep equipment away from excessive humidity and heat. Preferably, keep it in an air-conditioned environment with temperatures not exceeding 40° Celsius (104° Fahrenheit).
- When installing, place the equipment on a sturdy, level surface to prevent it from accidentally falling and causing damage to other equipment or injury to persons nearby.
- When the drawer is in an open position, do not cover, block or in any way obstruct the gap between it and the power supply. Proper air convection is necessary to keep it from overheating.
- Arrange the equipment's power cord in such a way that others won't trip or fall over it.
- If you are using a power cord that didn't ship with the equipment, ensure that it is rated for the voltage and current labeled on the equipment's electrical ratings label. The voltage rating on the cord should be higher than the one listed on the equipment's ratings label.
- Observe all precautions and warnings attached to the equipment.
- If you don't intend on using the equipment for a long time, disconnect it from the power outlet to prevent being damaged by transient over-voltage.
- Keep all liquids away from the equipment to minimize the risk of accidental spillage. Liquid spilled on to the power supply or on other hardware may cause damage, fire or electrical shock.
- Only qualified service personnel should open the chassis. Opening it yourself could damage the equipment and invalidate its warranty.
- If any part of the equipment becomes damaged or stops functioning, have it checked by qualified service personnel.

Regulatory Notices Federal Communications Commission (FCC)

This equipment has been tested and found to comply with the limits for a Class B digital device, pursuant to Part 15 of the FCC rules. These limits are designed to provide reasonable protection against harmful interference in a residential installation.

Any changes or modifications made to this equipment may void the user's authority to operate this equipment. This equipment generates, uses, and can radiate radio frequency energy and, if not installed and used in accordance with the instructions, may cause harmful interference to radio communications.

However, there is no guarantee that interference will not occur in a particular installation. If this equipment does cause harmful interference to radio or television reception, which can be determined by turning the equipment off and on, the user is encouraged to try to correct the interference by one or more of the following measures:

- Re-position or relocate the receiving antenna.
- Increase the separation between the equipment and receiver.
- Connect the equipment into an outlet on a circuit different from that to which the receiver is connected.

1.3 Before Installation

Chapter 1

- It is very important to locate the Rackmount LCD Drawer / Display in a suitable environment.
- The surface for placing and fixing the Rackmount LCD Drawer / Display should be stable and level or mounted into a suitable cabinet.
- Make sure the place has good ventilation, is out of direct sunlight, away from sources of excessive dust, dirt, heat, water, moisture and vibration.
- Convenience for connecting the Rackmount LCD Drawer / Display to the related facilities should be well considered too.

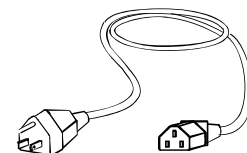
1.4 Unpacking

The LCD keyboard drawer comes with the standard parts shown on the package contents. Check and make sure they are included and in good condition. If anything is missing, or damage, contact the supplier immediately.

1.5 Optional Accessories

1. Power Cord

- 1.1 IEC power cord
- 1.2 NEMA 5-15 power cord (US)
- 1.3 BS 1363 power cord (UK)
- 1.4 CEE 7/4 power cord (German)
- 1.5 AS 3112 power cord (Australia)



1.6 Peripheral Products

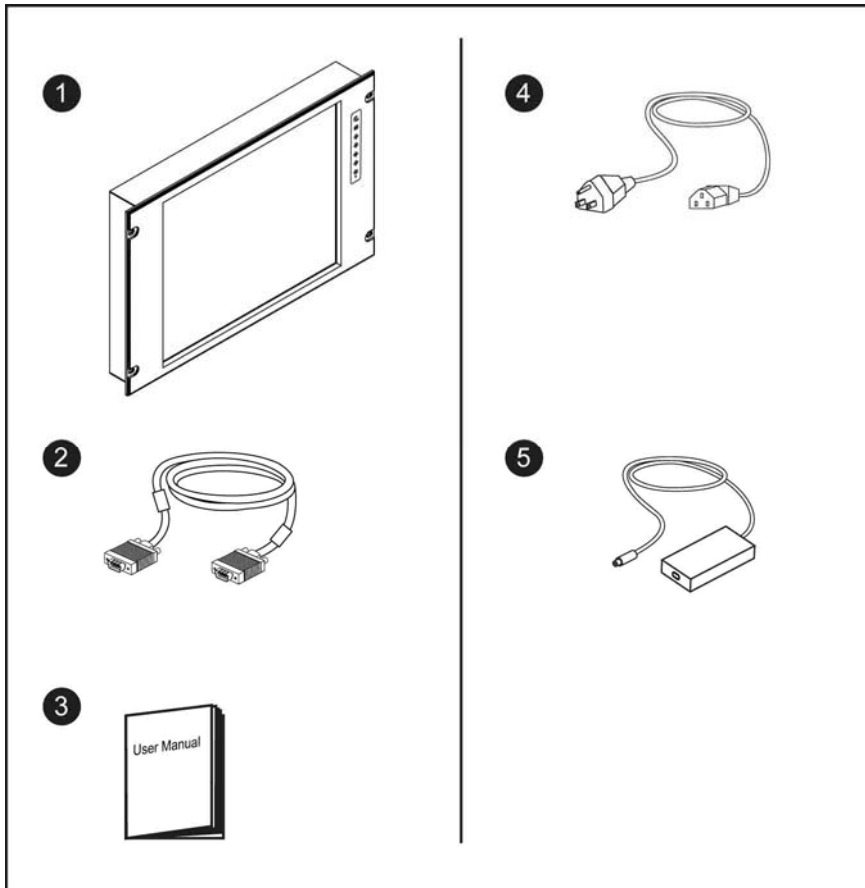
Chapter 1

Item	Model No.	Description
Matrix Cat6 KVM	MC0116 / MC0216 / MC0316 MC1116 / MC1216 / MC2116 MC0132 / MC0232 / MC0332 MC1132 / MC1232 / MC2132	Matrix Cat6 16 port KVM Matrix IP Cat6 16 port KVM Matrix Cat6 32 port KVM Matrix IP Cat6 32 port KVM
Matrix DB-15 KVM	M018/ M028 / M038 M118 / M128 / M218 M0116 / M0216 / M0316 M1116 / M1216/ M2116	Matrix DB-15 8 port KVM Matrix IP DB-15 8 port KVM Matrix DB-15 16 port KVM Matrix IP DB-15 16 port KVM
Combo Cat6 KVM	NVC800 / NVCCE800 / NVCIP800 NVC1600 / NVCCE1600 / NVCIP1600 NVC3200/ NVCCE3200 / NVCIP3200	Combo Cat6 8 port KVM Combo Cat6 16 port KVM Combo Cat6 32 port KVM
Combo DB-15 KVM	NVS801 / NVCE800 / NVIP-802 NVS1601 / NVCE1600 / NVIP-1602	Combo DB-15 8 port KVM Combo DB-15 16 port KVM
PS/2 DB-15 KVM	NV401A / NV801A / NV1601A	4 / 8 / 16 port PS/2 DB-15 KVM
Keyboard Drawer	NK1 NK2	Rackmount keyboard drawer (with KVM options) Rackmount keyboard drawer (short depth version)

2.1 Package Contents

Chapter 2

HNP717 & HNP819



- 1 Rackmount LCD display x 1 pc
- 2 6' VGA cable (male to male) x 1pc
- 3 User manual x 1pc
- 4 Power cord x 1pc
- 5 Auto switch power adapter x 1pc

2.2 Installation

Chapter 2

HNP717 & HNP819

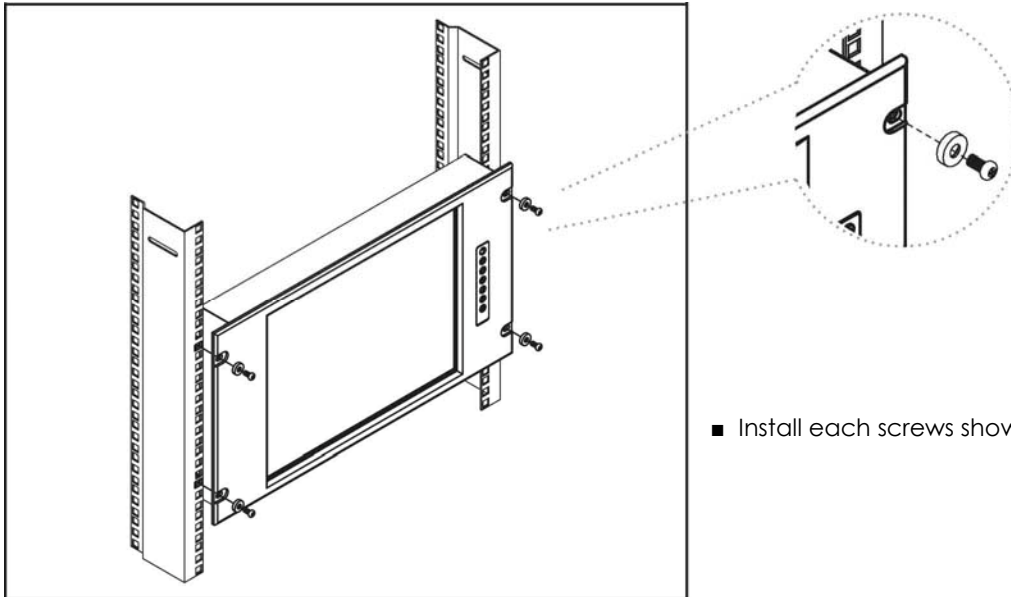


Figure 1.

- Install each screws shown in **Figure 1**.

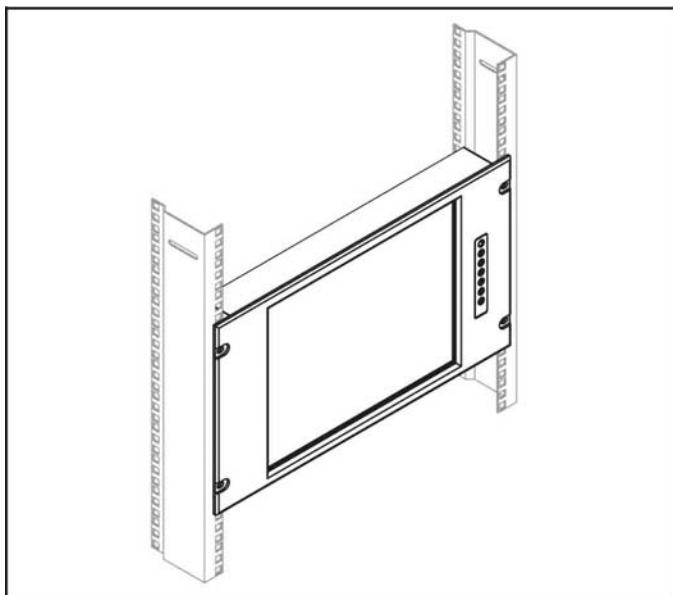


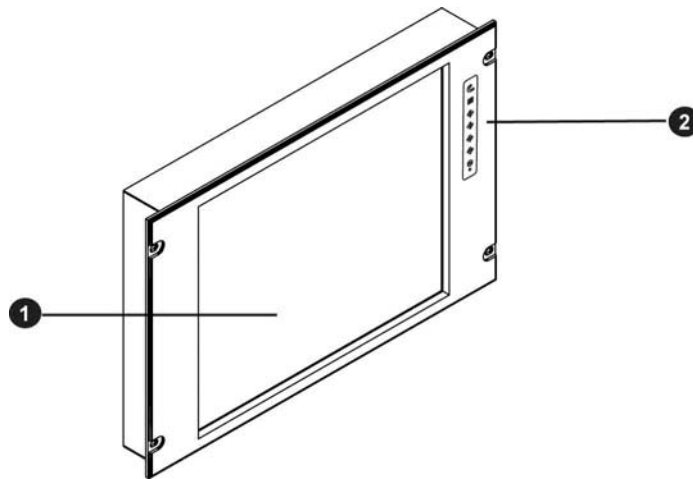
Figure 2.

- Fixed the LCD into the rack.
- * **M6 screws are not provided.**

2.3 Structure Diagram

Chapter 2

HNP717 & HNP819

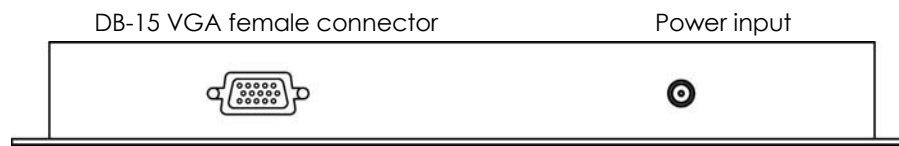


1 LCD interchangeable module kit

2 LCD membrane

2.4 Connection

HNP717 & HNP819

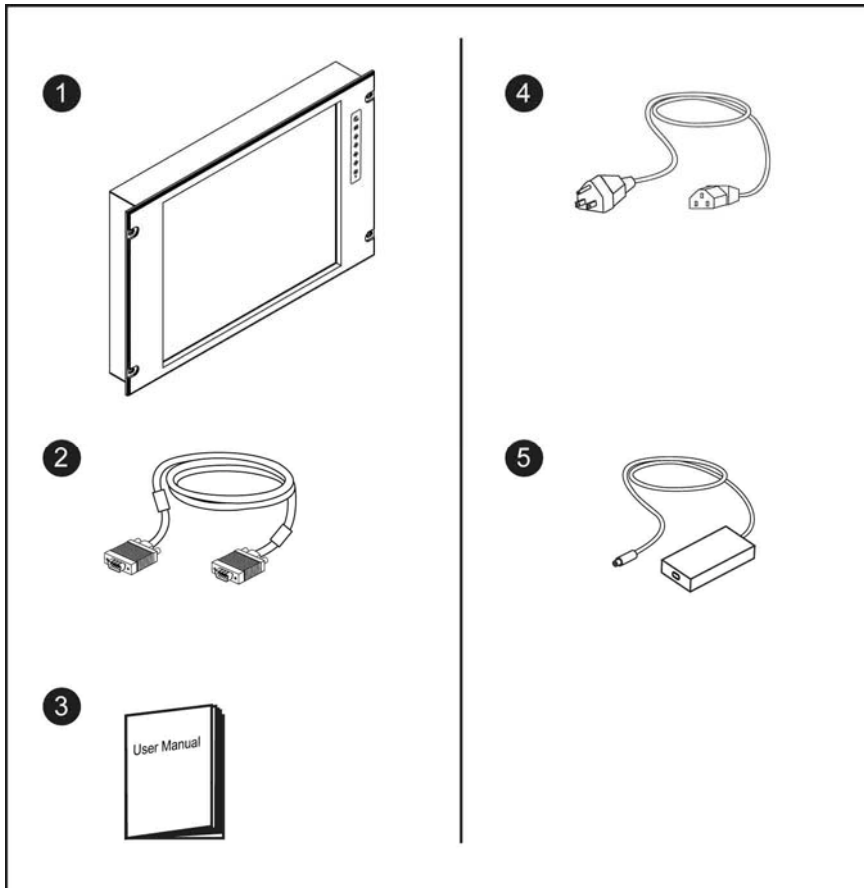


Caution: The Rackmount LCD Drawer & Display are hot-pluggable, but components of connected devices, such as the servers and KVM switch, may not be hot-pluggable. Plugging and unplugging cables while servers and KVM are powered on may cause irreversible damage to the servers, KVM and Rackmount LCD Drawer. Before attempting to connect anything to the Rackmount LCD Drawer, we suggest turning off the power to all devices before connecting them. Apply power to connected devices again only after the Rackmount LCD Drawer is receiving power. The company is not responsible for damage caused in this way.

3.1 Package Contents

Chapter 3

HNPW719 & HNPW822

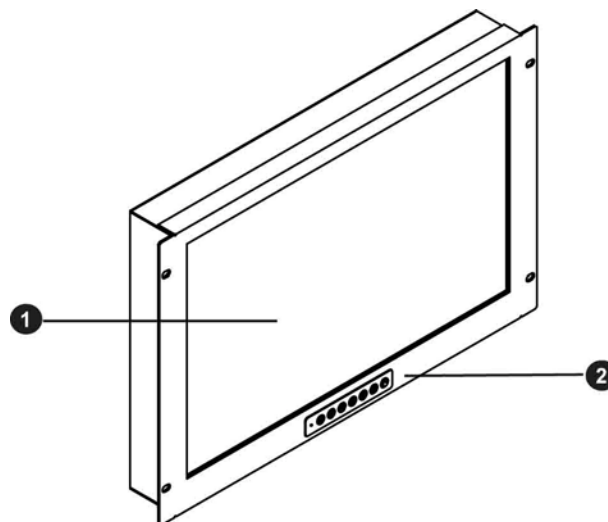


- 1 Rackmount LCD display x 1 pc
- 2 6' VGA cable (male to male) x 1pc
- 3 User manual x 1pc
- 4 Power cord x 1pc
- 5 Auto switch power adapter x 1pc

3.2 Structure Diagram

Chapter 3

HNPW719 & HNPW822

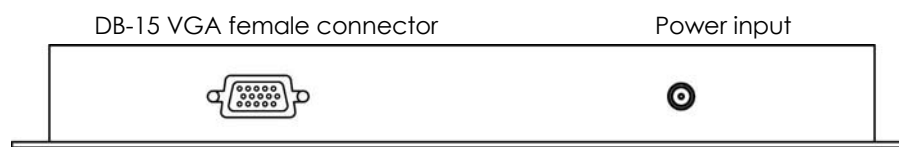


1 LCD interchangeable module kit

2 LCD membrane

3.3 Connection

HNPW719 & HNPW822



Caution: The Rackmount LCD Drawer & Display are hot-pluggable, but components of connected devices, such as the servers and KVM switch, may not be hot-pluggable. Plugging and unplugging cables while servers and KVM are powered on may cause irreversible damage to the servers, KVM and Rackmount LCD Drawer. Before attempting to connect anything to the Rackmount LCD Drawer, we suggest turning off the power to all devices before connecting them. Apply power to connected devices again only after the Rackmount LCD Drawer is receiving power. The company is not responsible for damage caused in this way.

3.4 Installation

Chapter 3

HNPW719

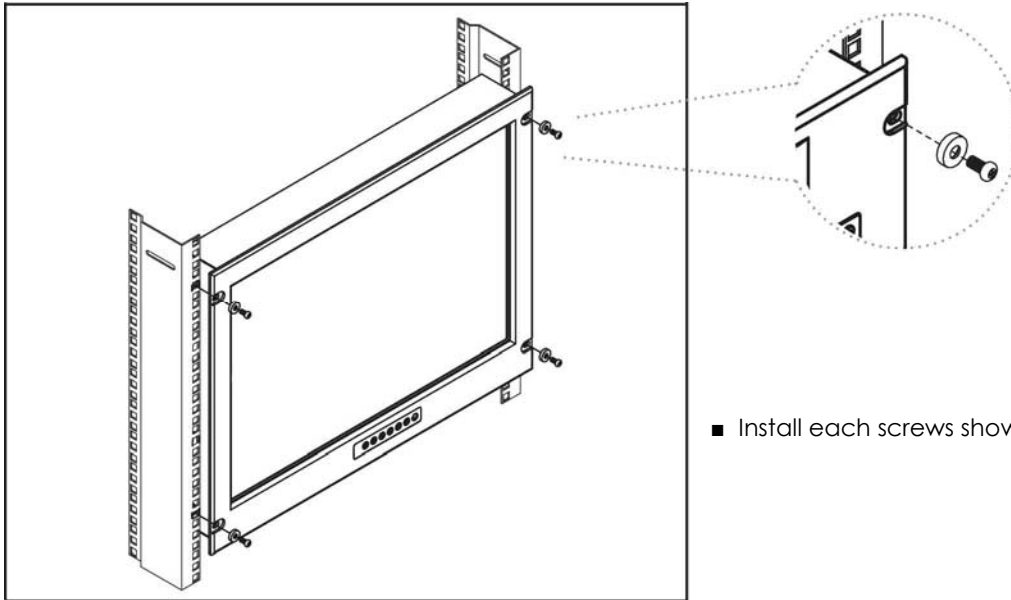


Figure 1.

- Install each screws shown in **Figure 3**.

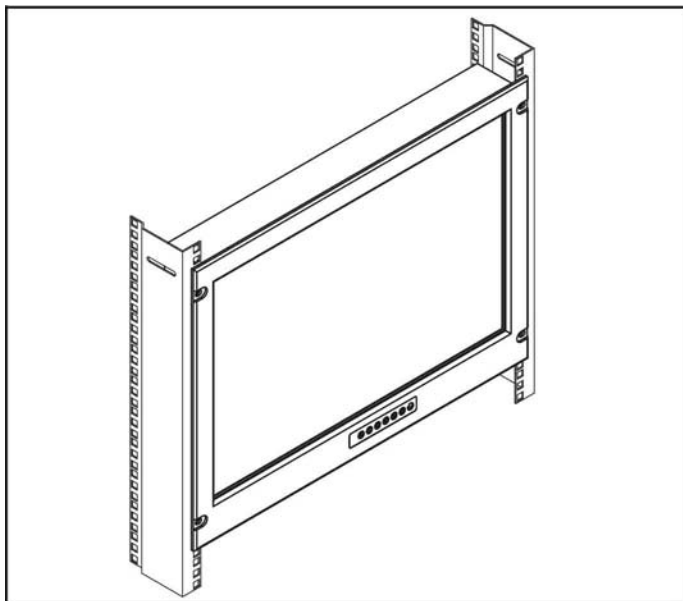


Figure 4.

- Fixed the LCD into the rack.

* **M6 screws are not provided.**

3.4 Installation

Chapter 3

HNPW822

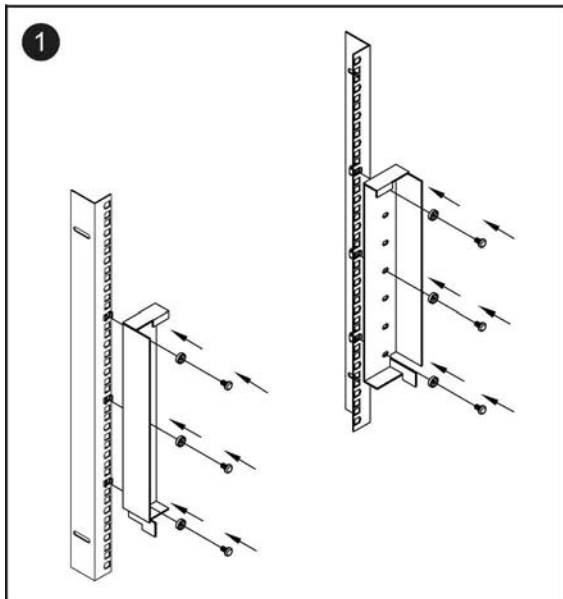


Figure 5.

- Install each screw shown in **Figure 3**.
- * **M6 screws are not provided.**

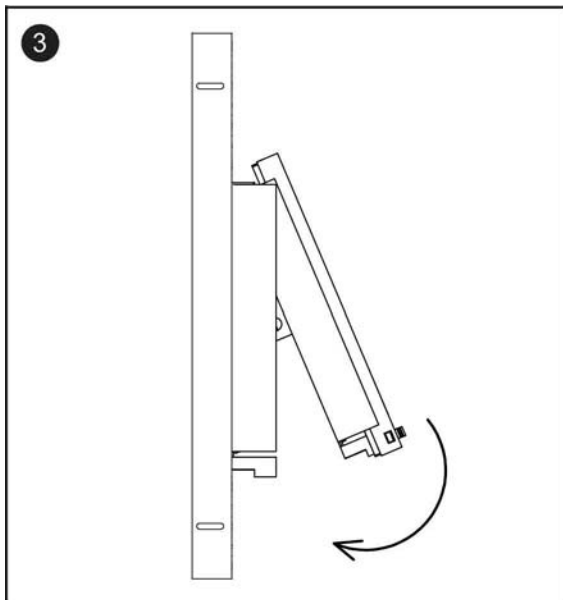


Figure 7.

- Push the lower part of the LCD into the rack.

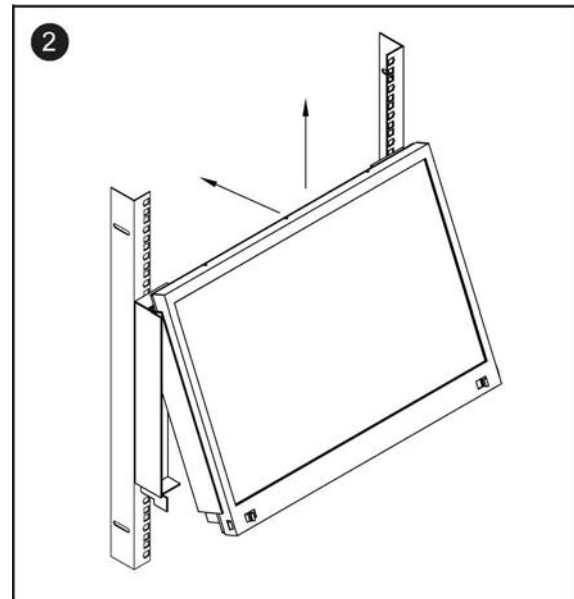


Figure 6.

- Insert the upper part of the LCD display to the rack shown in **Figure 4**.

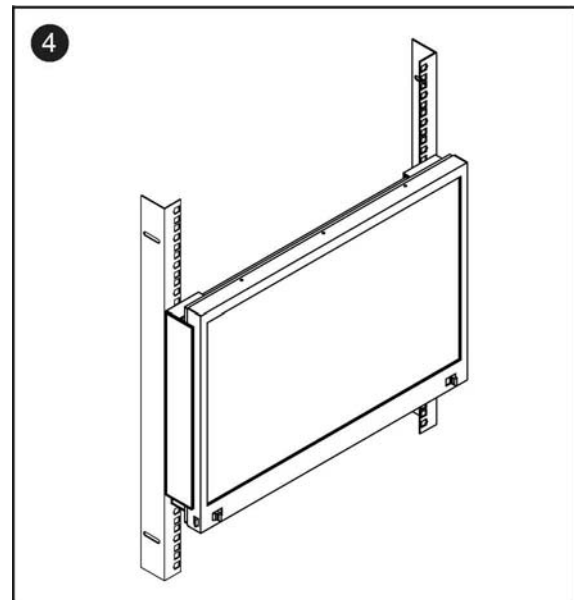


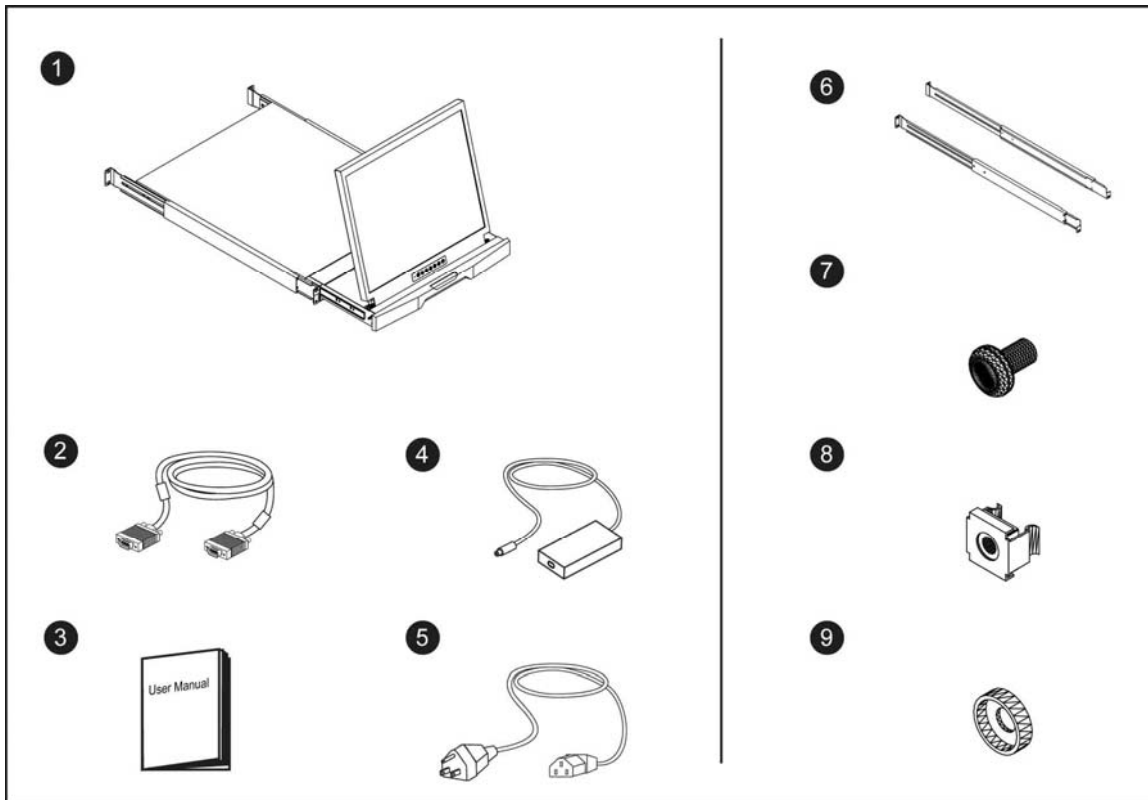
Figure 8.

- Installation completed.

4.1 Package Contents

Chapter 4

HNP117 & HNP119

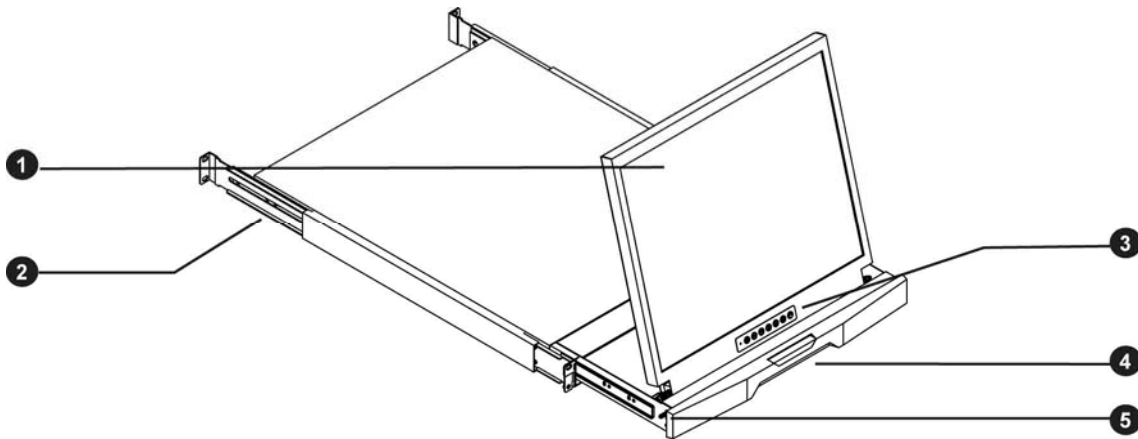


- 1 LCD drawer x 1 pc
- 2 6' VGA cable (male to male) x 1pc
- 3 User manual x 1 pc
- 4 Auto switch power adapter (for external power version) x 1pc
- 5 Power cord x 1pc
- 6 Mounting bracket x 2 pcs
- 7 M6*15mm screw x 8 pcs
- 8 M6 cage nut x 8 pcs
- 9 Cup washer x 8 pcs

4.2 Structure Diagram

Chapter 3

HNP117 & HNP119



- | | |
|----------------------------------|---|
| 1 LCD interchangeable module kit | 4 Carry handle to release the 2-pt lock |
| 2 "One Man" Installation Slides | 5 2-point lock |
| 3 LCD membrane | |

4.3 Connection

HNP117 & HNP119

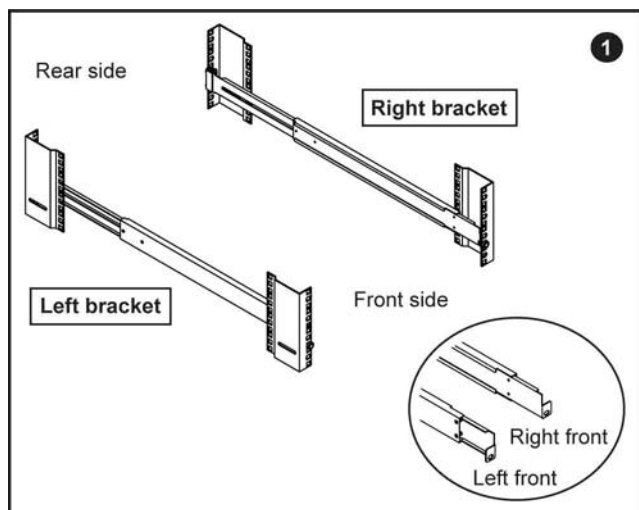


Caution: The Rackmount LCD Drawer & Display are hot-pluggable, but components of connected devices, such as the servers and KVM switch, may not be hot-pluggable. Plugging and unplugging cables while servers and KVM are powered on may cause irreversible damage to the servers, KVM and Rackmount LCD Drawer. Before attempting to connect anything to the Rackmount LCD Drawer, we suggest turning off the power to all devices before connecting them. Apply power to connected devices again only after the Rackmount LCD Drawer is receiving power. The company is not responsible for damage caused in this way.

4.4 How to Install “One Man” Installation Slides

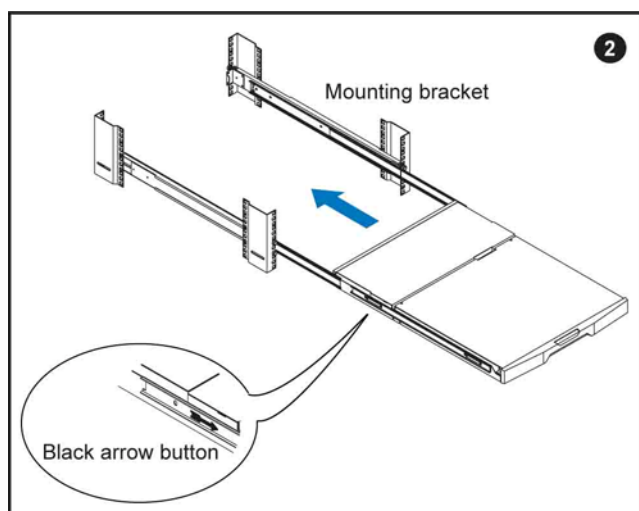
Chapter 4

Install into rack



- Attach the left and right mounting bracket to rack 19" mounting rails.
- Adjust the rear mounting bracket to fit your rack.
- M6 screw and cup washer x 6 pcs included.

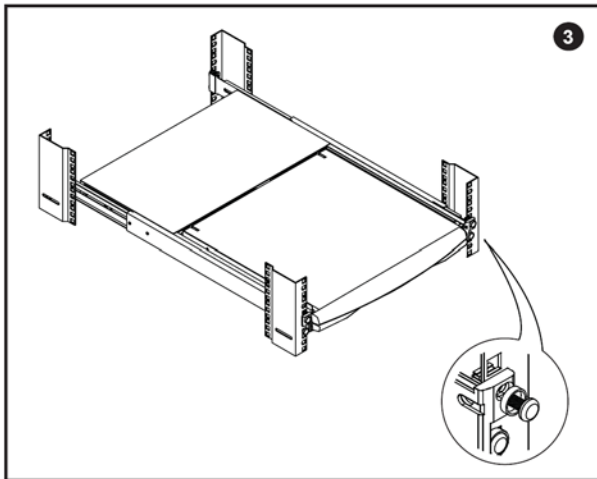
Caution: Leaving the screws slightly loose, until you complete the installation in step **4**



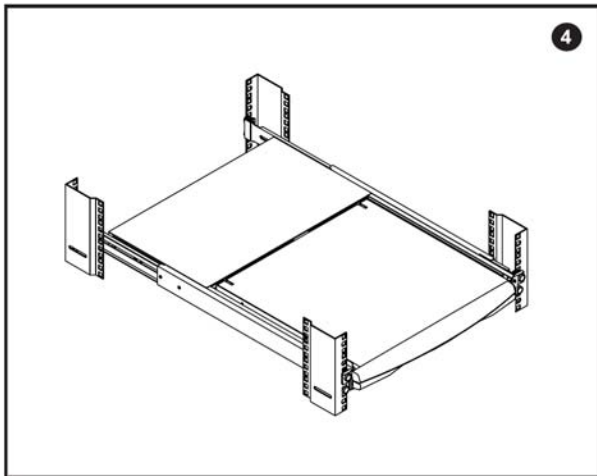
- Pick up the LCD keyboard drawer.
- Insert the LCD keyboard drawer into the mounting bracket.
- Pull and hold the left & right black arrow buttons on the rails.
- Return the LCD keyboard drawer to park position.

4.4 How to Install "One Man" Installation Slides

Chapter 4



- Attach front left and right mounting ears of the LCD keyboard drawer to vertical mounting rails.
- M6 screw and cup washer x 2 pcs included.



Complete the installation

- Tighten all 8 pcs of M6 screw to complete the installation.

4.5 How to Use the Slides

Chapter 4

HNP117 & HNP119

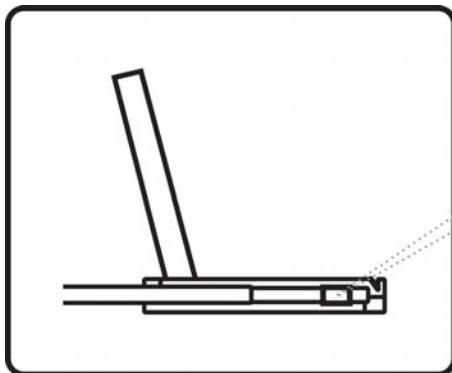


Figure 9

- A black arrow release button is located on the outside of each slide. (shown in **Figure 9**).

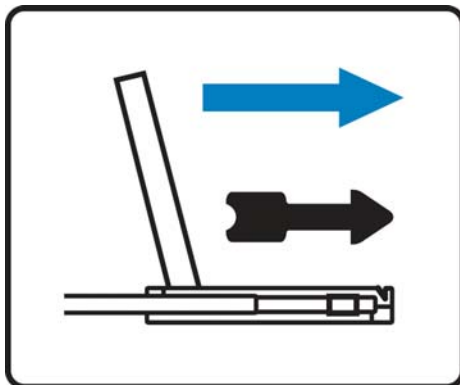


Figure 10

- Pull and hold the black arrow button on either side of the LCD keyboard drawer to unlock. (shown in **Figure 10**).

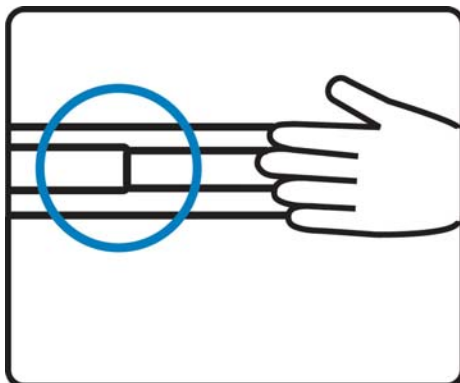


Figure 11

- Push the LCD keyboard drawer into the rack. (shown in **Figure 11**).

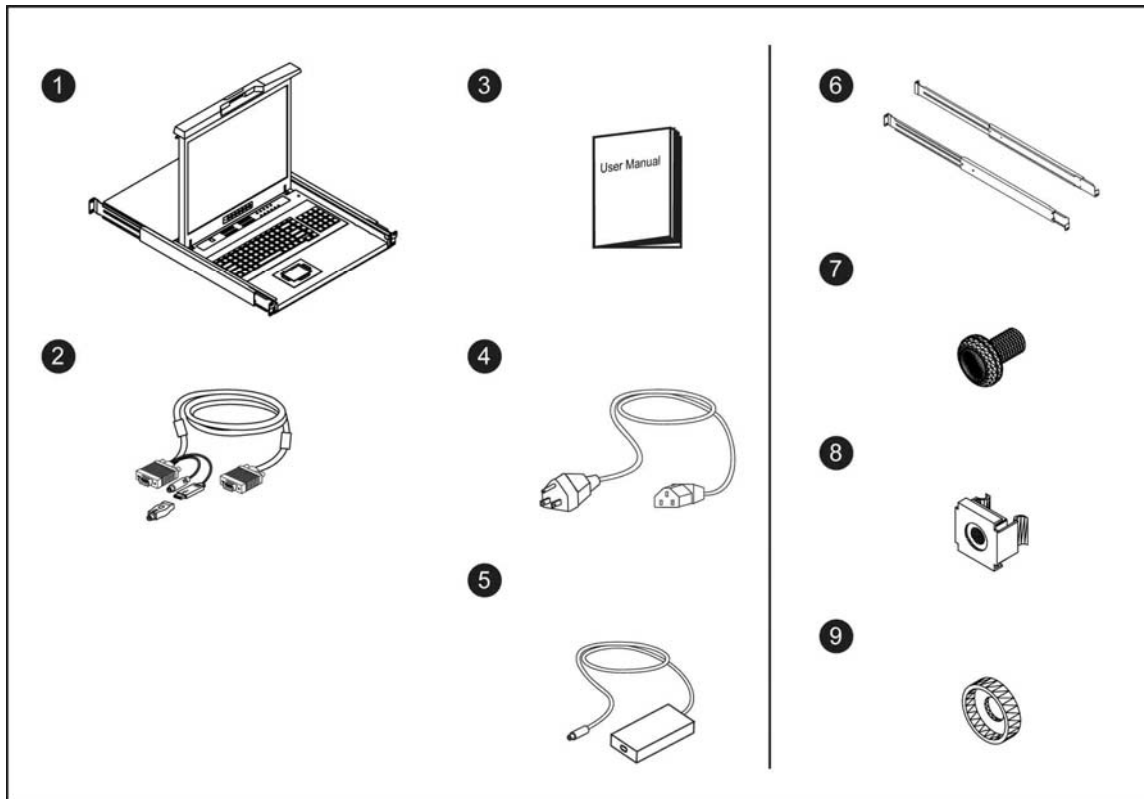


Caution: Keep your fingers away from the slide top

5.1 Package Contents

Chapter 5

HNVP117 & HNVP119



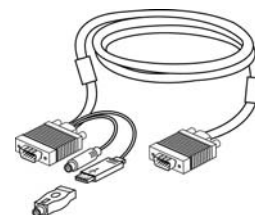
- 1 LCD keyboard drawer x 1 pc
- 2 **CE-6** Combo 4-in-1 KVM cable x 1 pc
- 3 User manual x 1 pc
- 4 Power cord x 1 pc
- 5 Auto switch power adapter (for external power version) x 1pc
- 6 Mounting bracket x 2 pcs
- 7 M6*15mm screw x 8 pcs
- 8 M6 cage nut x 8 pcs
- 9 Cup washer x 8 pcs

5.2 Optional Accessories

Chapter 5

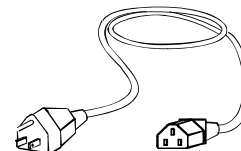
1. Combo 4-in-1 KVM cable

- 1.1 NE-6 6 feet
- 1.2 NE-10 10 feet
- 1.3 NE-15 15 feet

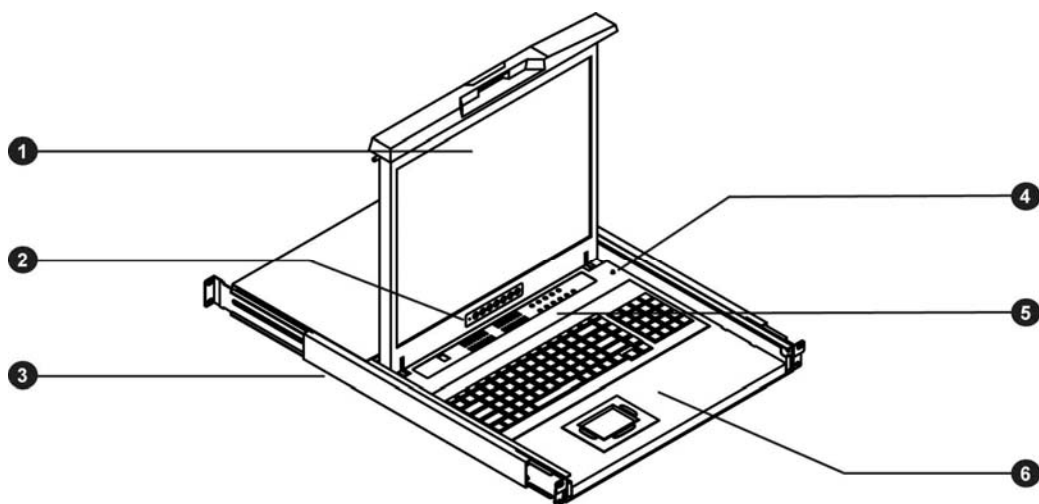


2. Power Cord

- 2.1 IEC power cord
- 2.2 NEMA 5-15 power cord (US)
- 2.3 BS 1363 power cord (UK)
- 2.4 CEE 7/4 power cord (German)
- 2.5 AS 3112 power cord (Australia)



5.3 Structure Diagram

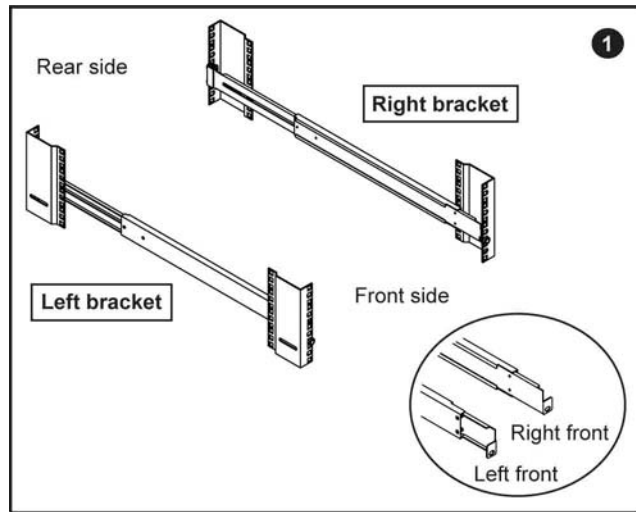


- | | |
|----------------------------------|--------------------------------------|
| 1 LCD interchangeable module kit | 4 Micro-switch for LCD auto ON / OFF |
| 2 LCD membrane | 5 Membrane switch (KVM option) |
| 3 "One Man" Installation Slides | 6 Keyboard & mouse |

5.4 How to Install "One Man" Installation Slides

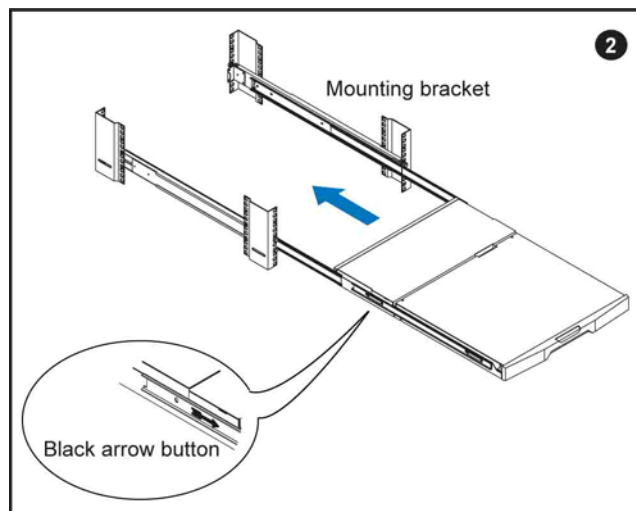
Chapter 5

Install into rack



- Attach the left and right mounting bracket to rack 19" mounting rails.
- Adjust the rear mounting bracket to fit your rack.
- M6 screw and cup washer x 6 pcs included.

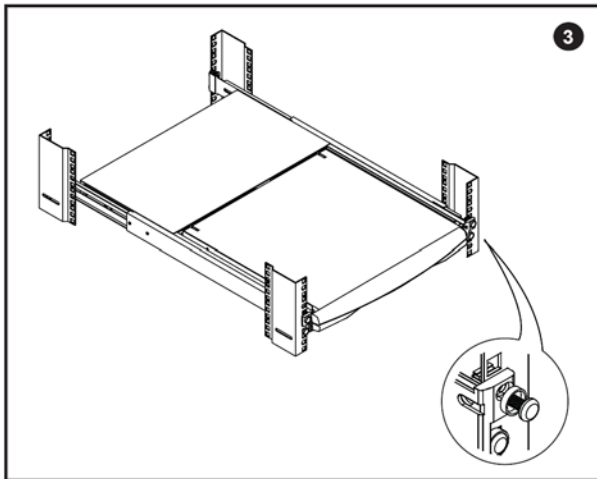
Caution: Leaving the screws slightly loose, until you complete the installation in step 4



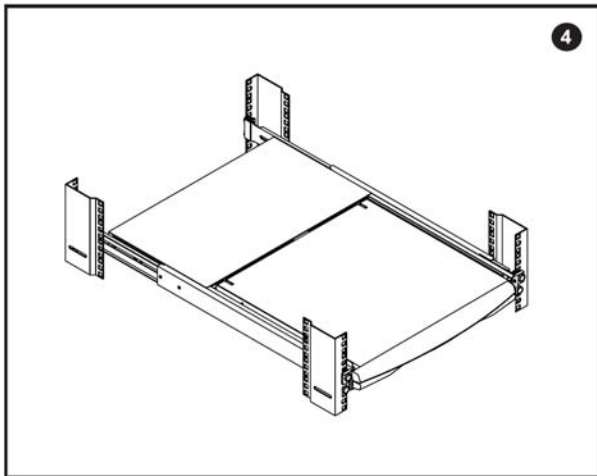
- Pick up the LCD keyboard drawer.
- Insert the LCD keyboard drawer into the mounting bracket.
- Pull and hold the left & right black arrow buttons on the rails.
- Return the LCD keyboard drawer to park position.

5.4 How to Install "One Man" Installation Slides

Chapter 5



- Attach front left and right mounting ears of the LCD keyboard drawer to vertical mounting rails.
- M6 screw and cup washer x 2 pcs included.



Complete the installation

- Tighten all 8 pcs of M6 screw to complete the installation.

5.5 How to Use the Slides

Chapter 5

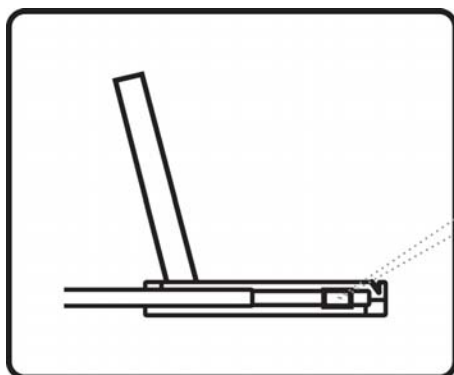


Figure 12

- A black arrow release button is located on the outside of each slide. (shown in **Figure 12**).

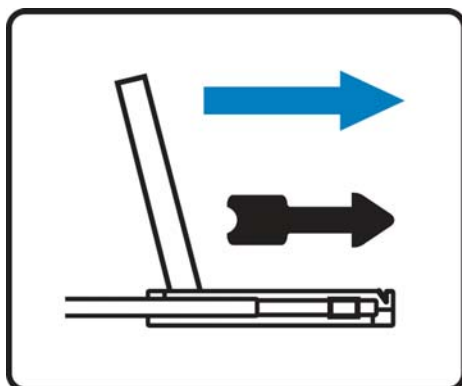


Figure 13

- Pull and hold the black arrow button on either side of the LCD keyboard drawer to unlock. (shown in **Figure 13**).

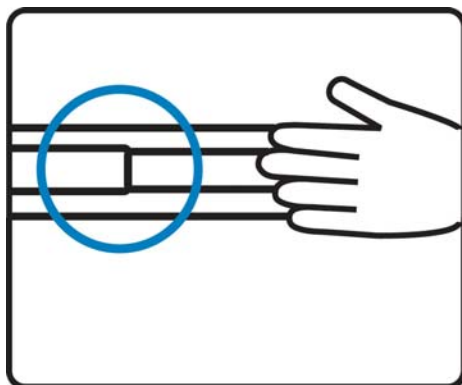


Figure 14

- Push the LCD keyboard drawer into the rack. (shown in **Figure 14**).



Caution : Keep your fingers away from the slide top

5.6 HNVP117 / 119 (Single console)

Chapter 5

- Use NE-6 to connect to server via PS/2 interface

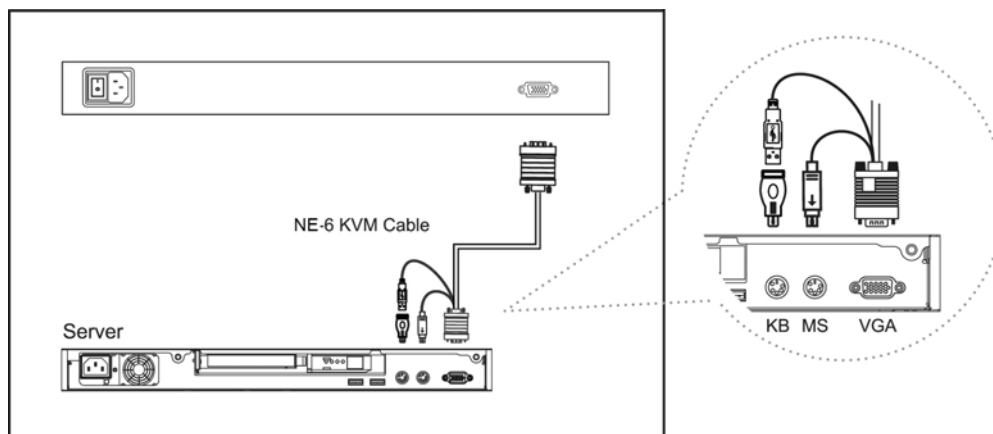


Figure 15. Example of connecting NE-6 4-in-1 Combo KVM cable to server via PS/2 interface

5.7 HNVP117 / 119 (Single console)

- Use NE-6 to connect to KVM via PS/2 interface

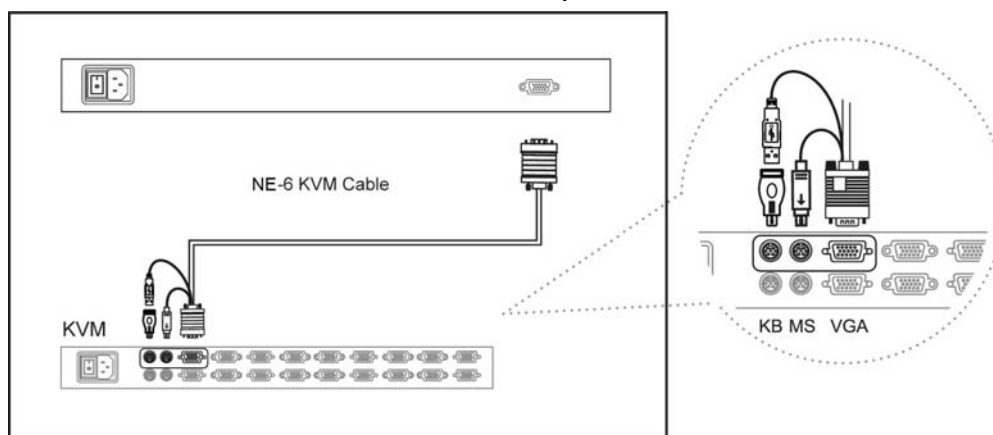


Figure 16. Example of connecting NE-6 4-in-1 Combo KVM cable to KVM via PS/2 interface

Remarks:

- The above connection is only for the LCD keyboard without KVM switch built-in.
- For the LCD keyboard drawer with KVM switch built-in, please refer to attached KVM switch user manual.



Caution: The LCD keyboard drawer is hot-pluggable, but components of connected devices, such as the servers and KVM switch, may not be hot-pluggable. Plugging and unplugging cables while servers and KVM are powered on may cause irreversible damage to the servers, KVM and LCD keyboard drawer. Before attempting to connect anything to the LCD keyboard drawer, we suggest turning off the power to all devices before connecting them. Apply power to connected devices again only after the LCD keyboard is receiving power. The company is not responsible for damage caused in this way.

5.8 HNVP117 / 119 Series (Single console)

Chapter 5

- Use NE-6 to connect to server via USB interface

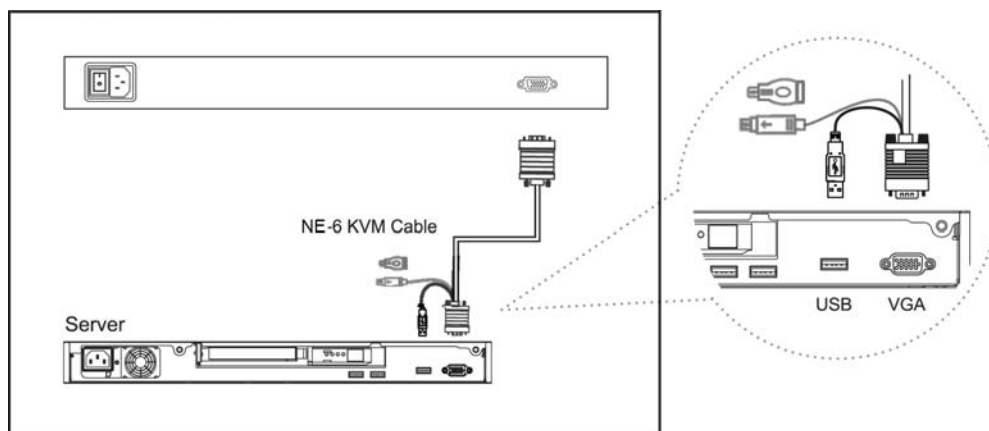


Figure 17. Example of connecting NE-6 4-in-1 Combo KVM cable to server via USB interface

5.9 HNVP117 / 119 Series (Single console)

- Use NE-6 to connect to KVM via USB interface

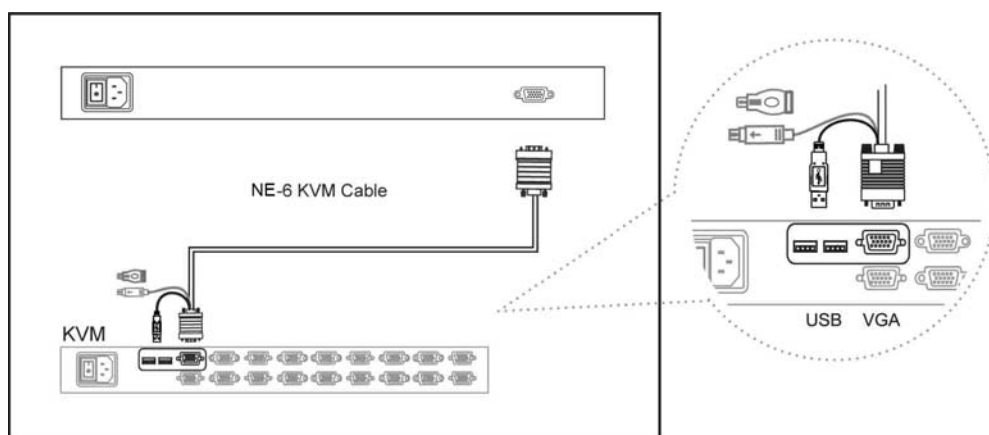


Figure 18. Example of connecting NE-6 4-in-1 Combo KVM cable to KVM via USB interface

Remarks:

- The above connection is only for the LCD keyboard without KVM switch built-in.
- For the LCD keyboard drawer with KVM switch built-in, please refer to attached KVM switch user manual.



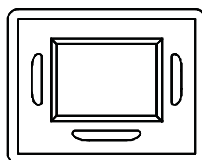
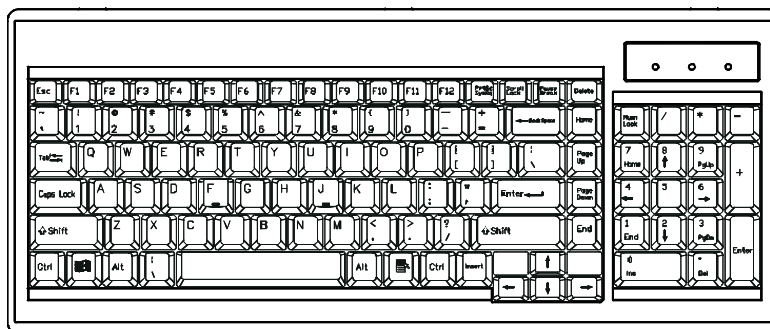
Caution: The LCD keyboard drawer is hot-pluggable, but components of connected devices, such as the servers and KVM switch, may not be hot-pluggable. Plugging and unplugging cables while servers and KVM are powered on may cause irreversible damage to the servers, KVM and LCD keyboard drawer. Before attempting to connect anything to the LCD keyboard drawer, we suggest turning off the power to all devices before connecting them. Apply power to connected devices again only after the LCD keyboard is receiving power. The company is not responsible for damage caused in this way.

5.10 Keyboard & Mouse

Chapter 5

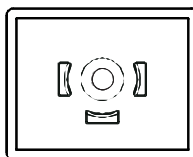
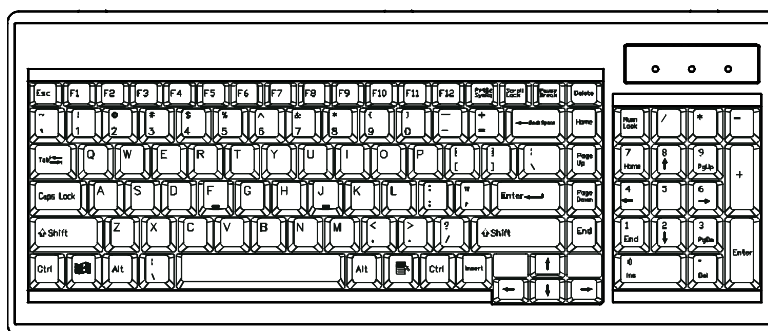
For HNVP117 / 119

Supporting layouts



e

e keyboard integrated with touchpad



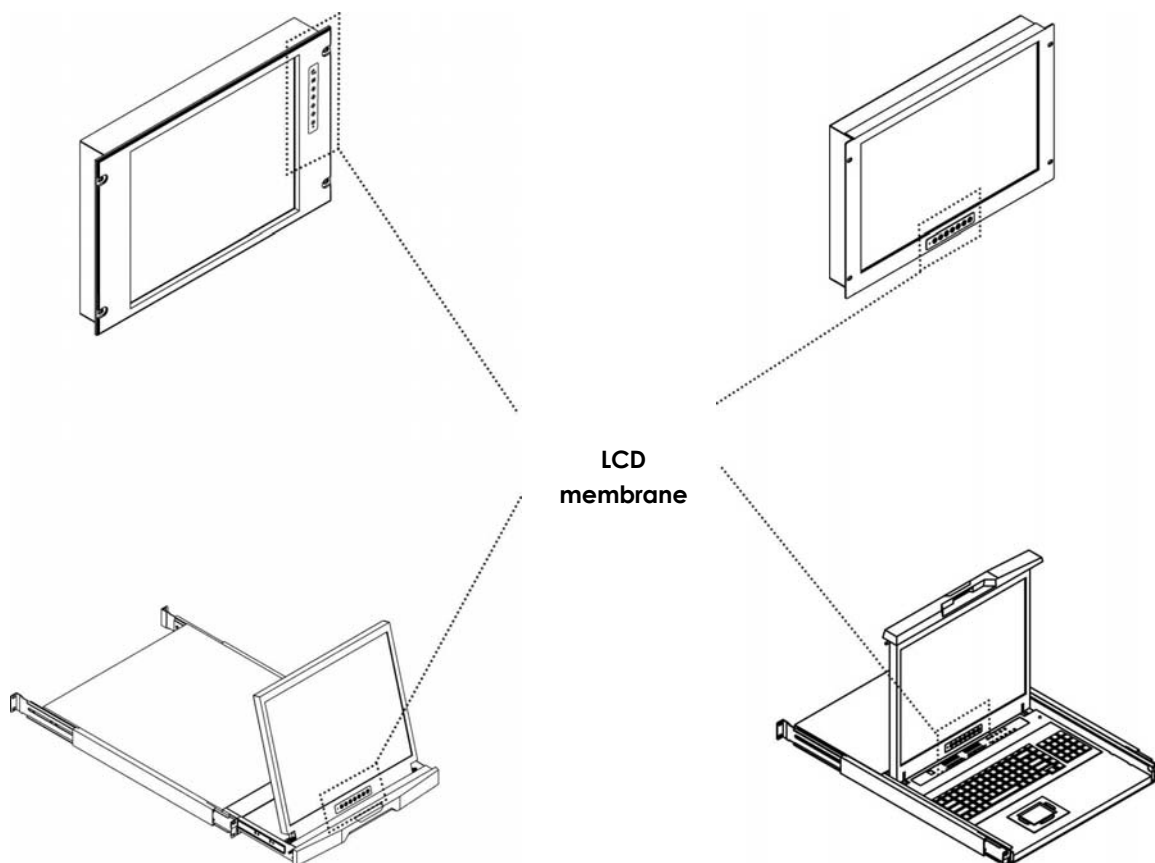
b

b keyboard integrated with trackball

6.1 On-screen display Operation

Chapter 6

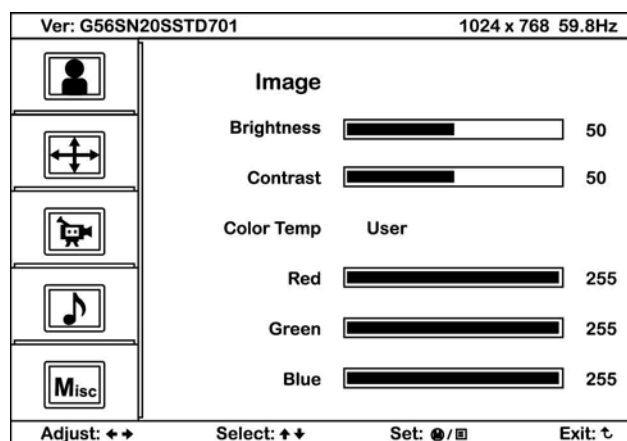
HNP717 & HNP819
HNPW719 & HNPW822
HNP117 & HNP119
HNVP117 & HNVP119



Membrane Switch	Function
<ul style="list-style-type: none"> ○ ● ● 	Power light Green = On Orange = Power saving
	Power on / off LCD
	Display the OSD menu
	Scrolls through menu options and adjusts the displayed control (To auto adjustment by pressing the button for 5 seconds)
	Exit the OSD screen Toggle analog, digital & video connection (DVI-D and video options only)

6.2 On-screen Menu

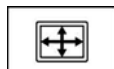
Chapter 6



OSD Configuration Page

**Image:**

To enter into the brightness, contrast, colour temp, red, green, and blue

**Geometry:**

To enter into the auto adjust, H position, V position, phase and clock

**Video:**

To enter into the colour, tint, sharpness, noise reduction, DCDi and TV Setup

**Audio:**

To enter into volume, bass, treble, balance, AVL and mute

**Misc:**

To enter into the language, OSD position, graphic mode, OSD time, ratio, reset and timer

7.1 LCD Specifications

Chapter 7

HNP717 & HNP819
HNVP117 & HNVP119
HNP117 & HNP119

Item	Description	
LCD Grade	Grade A industrial TFT LCD panel	
Diagonal Size	17" TFT	19" TFT
Max. Resolution	1280 x 1024	1280 x 1024
Brightness (cd/m²)	800	800
Color Support	16.7 M	16.7 M
Contrast Ratio (typ.)	800:1	800:1
Viewing Angle (H/V)	170° x 160°	160° x 160°
Display Area (mm)	338 x 270	376 x 301
Tr Response Time (ms)	3.5	1.3
LCD Panel MTBF (hrs)	70,000	70,000
VGA Signal Input	Analog RGB, 0.7Vp-p	
Sync. Type	Separate H/V, Composite, SOG	
Resolution	720 x 400, 70 Hz	
	640 x 480, 60 / 70 / 72 / 75 Hz	
	800 x 600, 60 / 70 / 72 / 75 Hz	
	1024 x 768, 60 / 70 / 75 Hz	
	1152 x 864, 60 / 70 / 75 Hz	
	1280 x 720, 60 / 70 / 75 Hz	
	1280 x 1024, 60 / 70 / 72 / 75 Hz	
Plug & Play DDC	EDID 1.3	
Connector	DB-15 connector	
Power Input	Auto-sensing 100 to 240VAC, 50 / 60Hz	
Power Consumption	Max. 84 Watt, Standby 5 Watt	
Compatibility	Multi-platform - Mix PCs, SUNs, IBMs, HPs & DELLs.	
<i>Options</i>		
Graphic Input	DVI-D, BNC, S-Video & Quad display input	
DC Power	DC power input with 12V, 24V, 48V selection	
Touchscreen	Resistive & capacitive	
<i>Environmental</i>		
Operation	-20° to 50°C Degree	
Storage	-5° to 60°C Degree	
Relative Humidity	5~90%, non-condensing	
Shock	10G acceleration (11ms duration)	
Vibration	5~500Hz 1G RMS random vibration	

7.1 LCD Specifications

Chapter 7

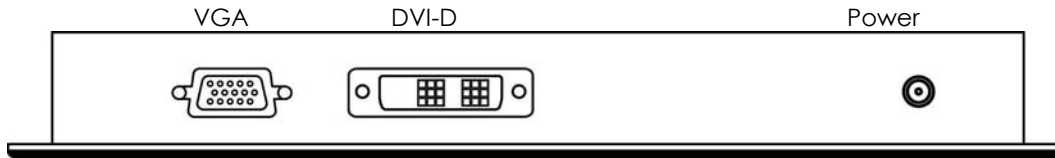
HNPW719 & HNPW822

Item	Description	
LCD Grade	Grade A industrial TFT LCD panel	
Diagonal Size	Wide 19" TFT	Wide 22" TFT
Max. Resolution	1440 x 990	1680 x 1050
Brightness (cd/m ²)	800	600
Color Support	16.7 M	16.7 M
Contrast Ratio (typ.)	900:1	900:1
Viewing Angle (H/V)	160° x 160°	170° x 160°
Display Area (mm)	408 x 255	474 x 296
Tr Response Time (ms)	1.3	3.6
LCD Panel MTBF (hrs)	70,000	70,000
VGA Signal Input	Analog RGB, 0.7Vp-p	
Sync. Type	Separate H/V, Composite, SOG	
Resolution	720 x 400, 70 Hz	
	640 x 480, 60 / 70 / 72 / 75 Hz	
	800 x 600, 60 / 70 / 72 / 75 Hz	
	1024 x 768, 60 / 70 / 75 Hz	
	1152 x 864, 60 / 70 / 75 Hz	
	1280 x 720, 60 / 70 / 75 Hz	1280 x 720, 60 / 75 Hz
	1280 x 1024, 60 / 70 / 75 Hz	1280 x 1024, 60 / 75 Hz
	1440 x 900, 60 Hz	1680 x 1050, 60 Hz
Plug & Play DDC	EDID 1.3	
Connector	DB-15 connector	
Power Input	Auto-sensing 100 to 240VAC, 50 / 60Hz	
Power Consumption	Max. 84 Watt, Standby 5 Watt	
Compatibility	Multi-platform - Mix PCs, SUNs, IBMs, HPs & DELLs.	
<i>Options</i>		
Graphic Input	DVI-D, BNC, S-Video & Quad display input	
DC Power	DC power input with 12V, 24V, 48V selection	
Touchscreen	Resistive & capacitive	
<i>Environmental</i>		
Operation	0° to 50°C Degree	
Storage	-5° to 60°C Degree	
Relative Humidity	5~90%, non-condensing	
Shock	10G acceleration (11ms duration)	
Vibration	5~500Hz 1G RMS random vibration	

8.1 DVI-D Option

Chapter 8

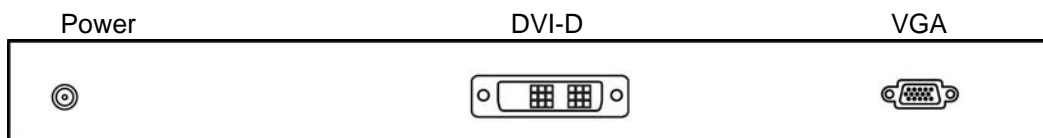
HNP717 & HNP819 HNPW719 & HNPW822



Remarks:

- Package includes 1 x 6ft DVI-D cable

HNP117 & HNP119 HNVP117 & HNVP119



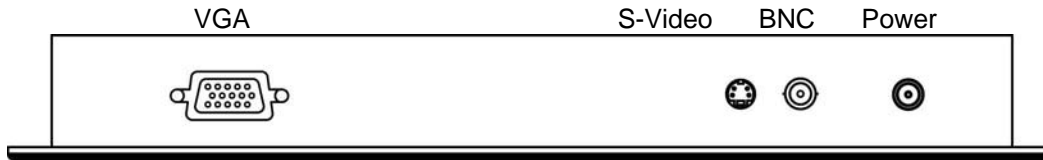
Remarks:

- Package includes 1 x 6ft DVI-D cable

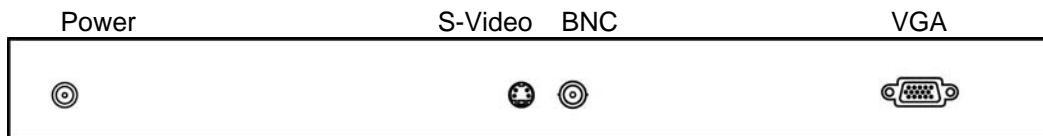
8.2 BNC + S-Video Option

Chapter 8

HNP717 & HNP819
HNPW719 & HNPW822



HNP117 & HNP119
HNVP117 & HNVP119



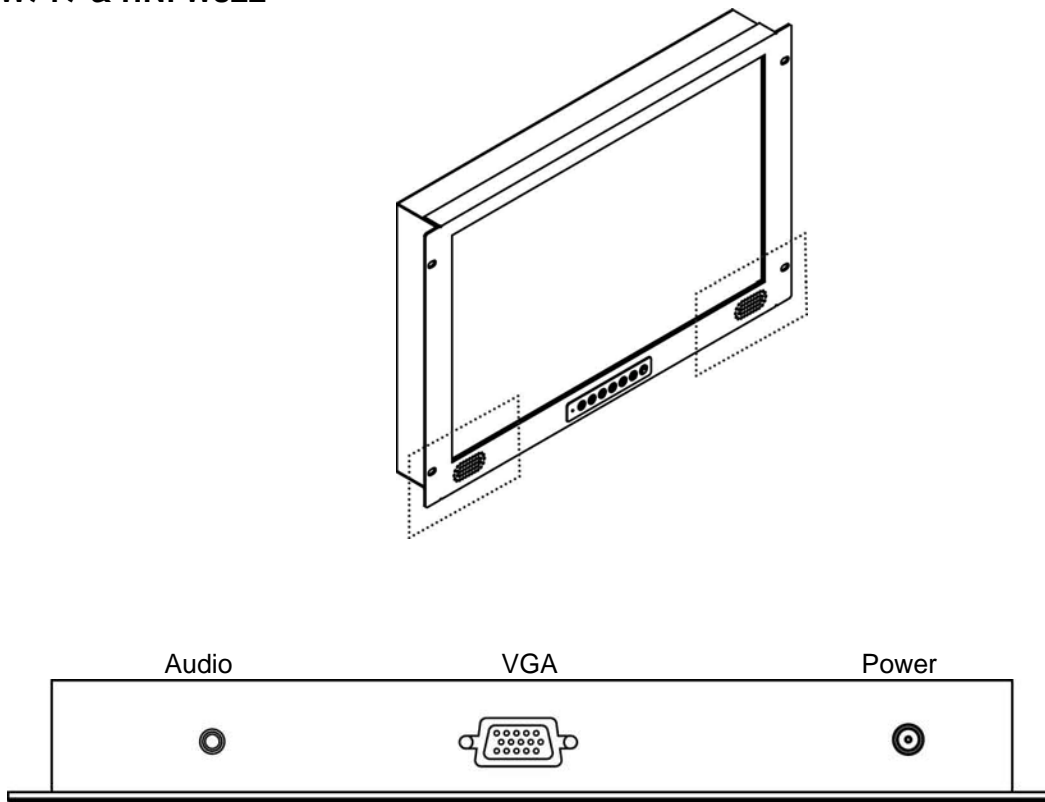
Remarks:

- Package includes 1 x 6ft S-Video cable

8.3 Audio Option

Chapter 8

HNP717 & HNP819
HNPW719 & HNPW822



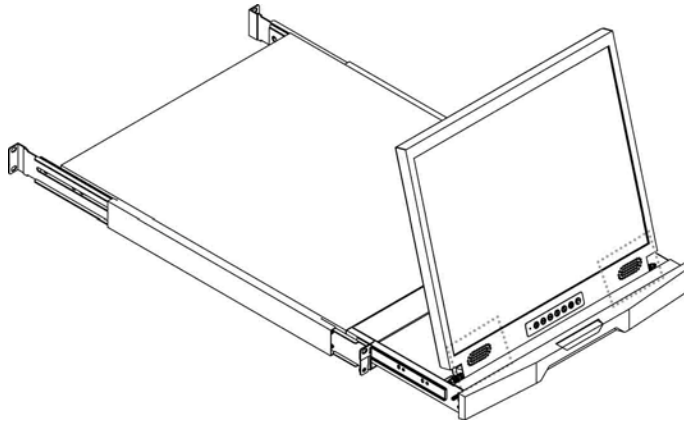
Remarks:

- Audio input is 35mm audio plug
- The speaker is sharing the same power with LCD.

8.3 Audio Option

Chapter 8

HNP117 & HNP119



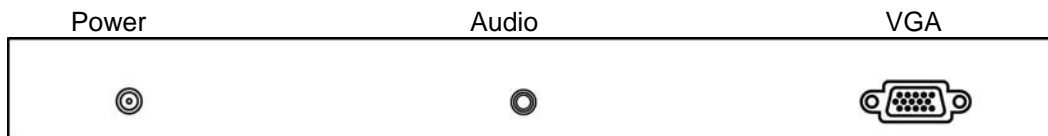
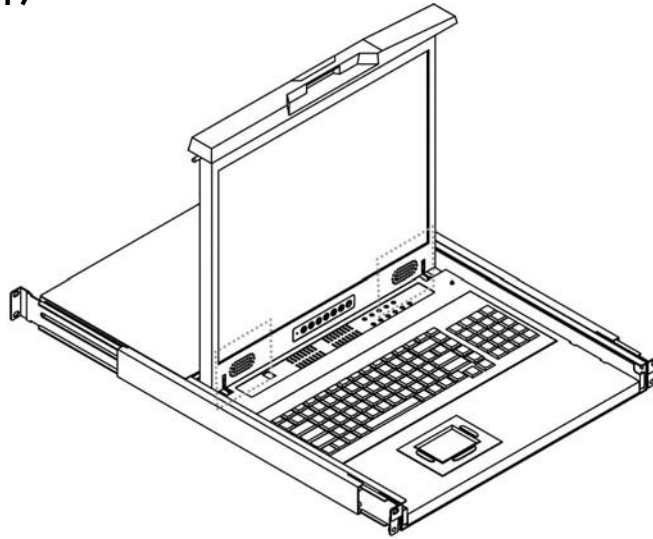
Remarks:

- Audio input is 35mm audio plug
- The speaker is sharing the same power with LCD.

8.3 Audio Option

Chapter 8

HNVP117 & HNVP119



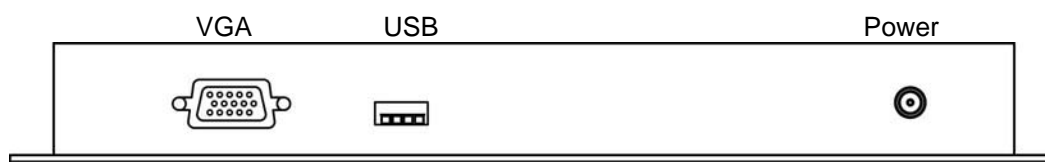
Remarks:

- Audio input is 35mm audio plug
- The speaker is sharing the same power with LCD.

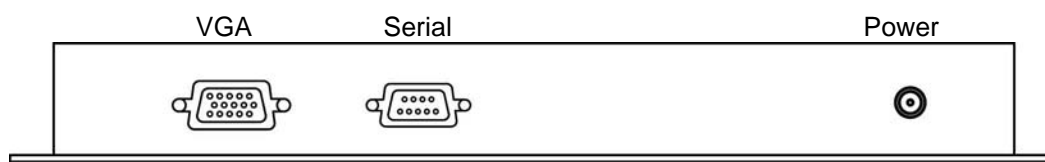
9.1 Touchscreen Options

HNP717 & HNP819 HNPW719 & HNPW822

USB interface

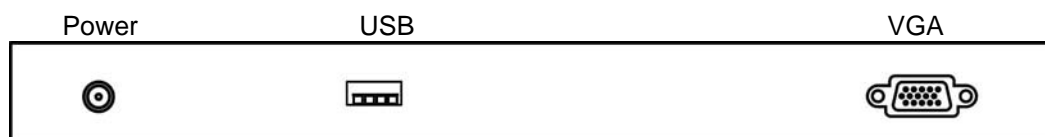


Serial interface

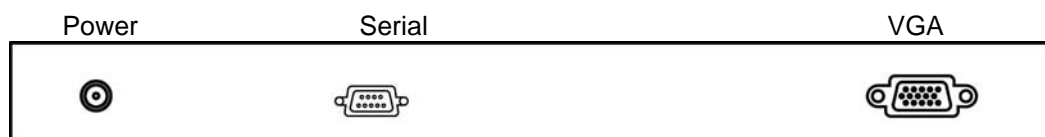


HNP117 & HNP119

USB interface



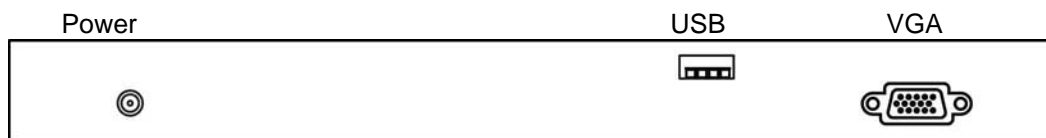
Serial interface



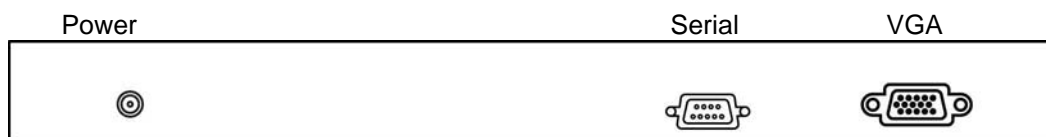
9.1 Touchscreen Options

HNVP117 & HNVP119

USB interface



Serial interface



HNP117 & HNP119

e-Resistive

Model	-17TRB / -17TRS	-19TRB / -19TRS	-19WTRB / -19WTRS	-22WTRB / -22WTRS
Screen size	17"	19"	19" Wide	22" Wide
Interface	USB / Serial			
Optical transmittance	80%±3%			
Surface hardness	≥3H (JIS K5400)			
Operating system	Windows 98 / 2000 / ME / XP / NT / CE, DOS, Linux			

e-Capacitive

Model	-17TCB / -17TCS	-19TCB / -19TCS	-19WTCB / -19WTCS	-22WTCB / -22WTCS
Screen size	17"	19"	19" Wide	22" Wide
Interface	USB / Serial			
Optical transmittance	93%±2%			
Surface hardness	>9H Surface hardness, withstand over 300 million touches			
Operating system	Windows 98 / 2000 / ME / XP / NT / CE, DOS, Linux			

Remarks:

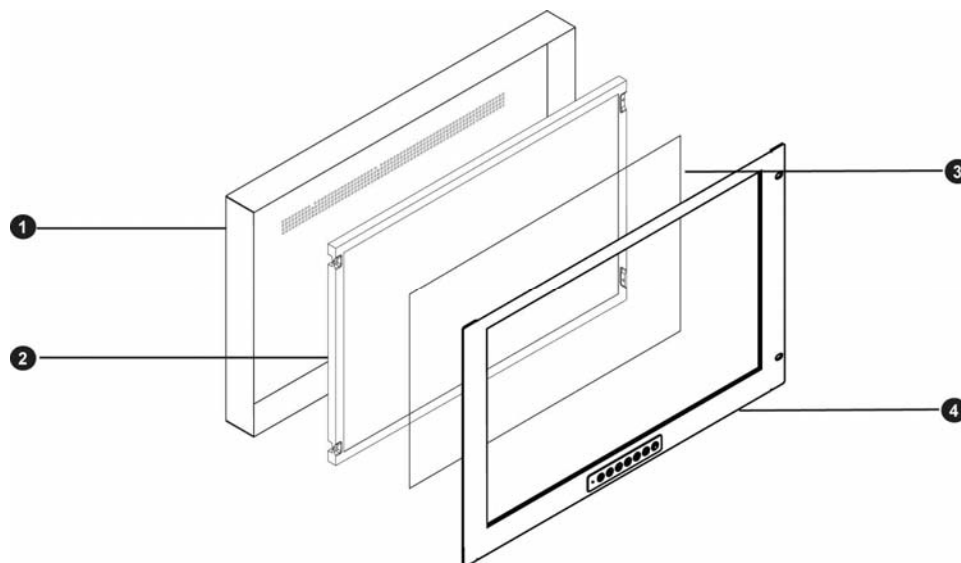
- USB touchscreen package includes 1 x 6ft USB cable, quick reference guideline and CD disc
- Serial touchscreen package includes 1 x 6ft serial cable, quick reference guideline and CD disc
- For detailed information, please refer to the attached CD disc
- As the touchscreen unit is not made of toughened glass, please handle it carefully.
- Touchscreen in other brands are available on request

10.1 Front NEMA4 / IP65 Option

Chapter 10

HNP717 & HNP819

HNPW719 & HNPW822



- 1 Rear case
- 2 LCD panel
- 3 4mm protective glass (Front NEMA 4 / IP65 protection)
- 4 Aluminum front panel

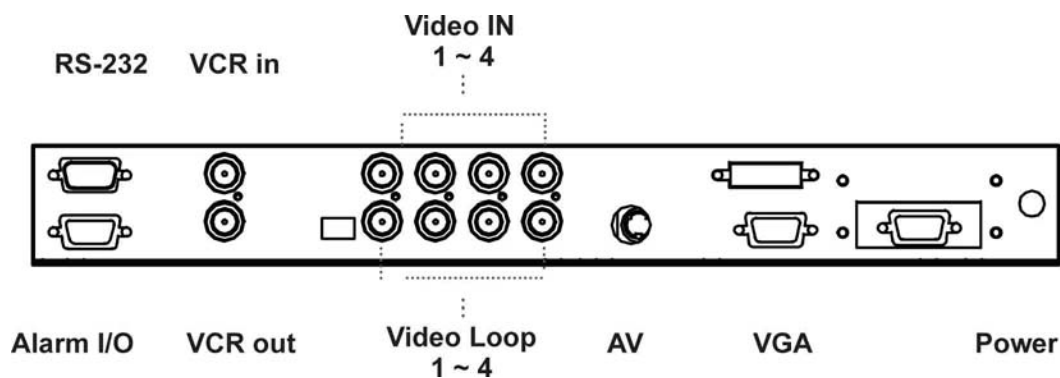
Remarks

- 4mm thickness of protective glass is not toughened one, please handle it carefully.

11.1 Quad Display Option

Chapter 11

Specifications



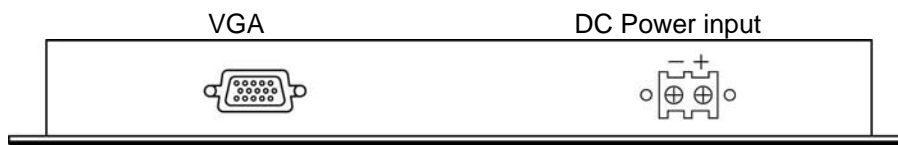
Item		Description
Model Number		QD (NTSC) QD (PAL)
Number of Color		16.7 M 16.7 M
Imaging System		NTSC PAL
Resolution		1024 x 525 1024 x 625
Refresh Rate		60 50
Video Input	Camera Input	1.0 Vpp, 75 Ohm x 4
	VCR Input	1.0 Vpp, 75 Ohm x 1
Video Output	Live Monitor	1.0 Vpp, 75 Ohm x 1
	Loop Through Out	1.0 Vpp, 75 Ohm x 4
	VCR Output	1.0 Vpp, 75 Ohm x 1
Auto Gain Control		Yes
Time / Date		Yes
On Screen Display		Yes
Camera Title		8 Character Title
Display Format	2 x Zoom On Playback	Yes
	QUAD	Yes
	FULL	Yes
	SEQUENCY	Yes
Dwell Time		0 to 99 Sec Adjustable
Built-in Buzzer		Yes
Key Lock		Yes

Remarks

- For more details, please refer to Quad Display User Manual.
- Quad display input is not applicable for HNVP117 / 119 series.

12.1 DC Power Options

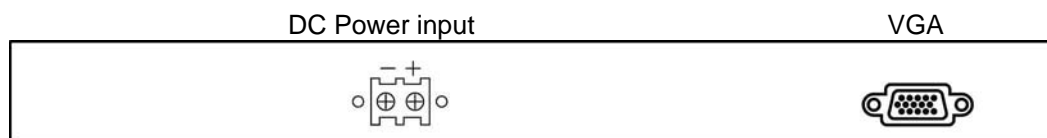
HNP717 & HNP819 HNPW719 & HNPW822



HNP117 & HNP119



HNVP117 & HNVP119



Model	24V	48V
Input rating		
Input voltage:	24-Volt	48-Volt
Input range:	18 ~ 36V	36 ~ 75V
Input current		
- No load	50 mA	50 mA
- Full load	4880 mA	2442 mA
Output rating		
Output voltage:	12-Volt	12-Volt
Output current:	8.3A	8.3A
Efficiency	85%	85%

Remarks:

- Package does not include 1 x power cord and 1 x AC power adapter

13.1 Dimensions

Chapter 13

HNP717 & HNP819

HNPW719 & HNPW822

HNP117 & HNP119

HNVP117 & HNVP119

Model	Product Dimension (W x D)		Packing Dimension (W x D x H)	Net Weight	Gross Weight
HNP717 series	480 x 57 mm 18.9 x 2.2"	7U	565 x 450 x 156 mm 22.2 x 17.7 x 6.1"	7 kg 15 lb	8.5 kg 19 lb
HNP819 series	480 x 57 mm 18.9 x 2.2"	8U	565 x 495 x 156 mm 22.2 x 19.5 x 6.1"	8 kg 18 lb	10 kg 22 lb
HNPW719	480 x 57.5mm 18.9 x 2.3"	7U	565 x 495 x 156 mm 22.2 x 19.5 x 6.1"	8 kg 18 lb	10 kg 22 lb
HNPW822	500.4 x 59.1mm 19.7 x 2.3"	8U	565 x 539 x 156 mm 22.2 x 21.2 x 6.1"	12 kg 26 lb	15 kg 33 lb
HNP117 series	446 x 600 x 44 mm 17.6 x 23.6 x 1.73"		581 x 755 x 172 mm 22.9 x 29.7 x 6.8"	12 kg 26 lb	17 kg 37 lb
HNP119 series	446 x 600 x 44 mm 17.6 x 23.6 x 1.73"		581 x 755 x 172 mm 22.9 x 29.7 x 6.8"	13 kg 29 lb	18 kg 40 lb
HNVP117 series	442 x 650 x 44 mm 17.4 x 25.6 x 1.73"		589 x 856 x 168 mm 23.2 x 33.7 x 6.6"	16 kg 35 lb	22 kg 48 lb
HNVP119 series	442 x 650 x 44 mm 17.4 x 25.6 x 1.73"		589 x 856 x 168 mm 23.2 x 33.7 x 6.6"	16 kg 35 lb	22 kg 48 lb

14.1 Troubleshooting

Chapter 14

1. How do I adjust the resolution?

To change monitor resolution, click Start -> Control Panel -> Display. Select Setting tab to adjust the monitor resolution in Desktop Area. The available resolutions, "640 x 480", "800 x 600", "1024 x 768", "1152 x 864", "1280 x 1024", are determined by the display card in your computer.


2. Is interference signal appeared on LCD normal when shutting down the computer?

In rare cases, interference may appear on the monitor. This may be caused by signal rate of VGA card and is considered normal. The image quality can be improved by adjusting the phase or pixel rate automatically or manually.

3. The membrane power light is not ON

Press the power On / Off on LCD membrane to check if the monitor is in the ON mode.
Check the power cord is properly connected to the LCD keyboard drawer and power outlet.

4. Screen image is not centered or sized properly

Press the  button for two seconds to automatically adjust the image.
Adjust the H-position and V-position settings via On-screen menu.

The company reserves the right to modify product specifications without prior notice and assumes no responsibility for any error which may appear in this publication.

All brand names, logo and registered trademarks are properties of their respective owners.

Copyright 2009 i-Tech Company LLC. All rights reserved.